

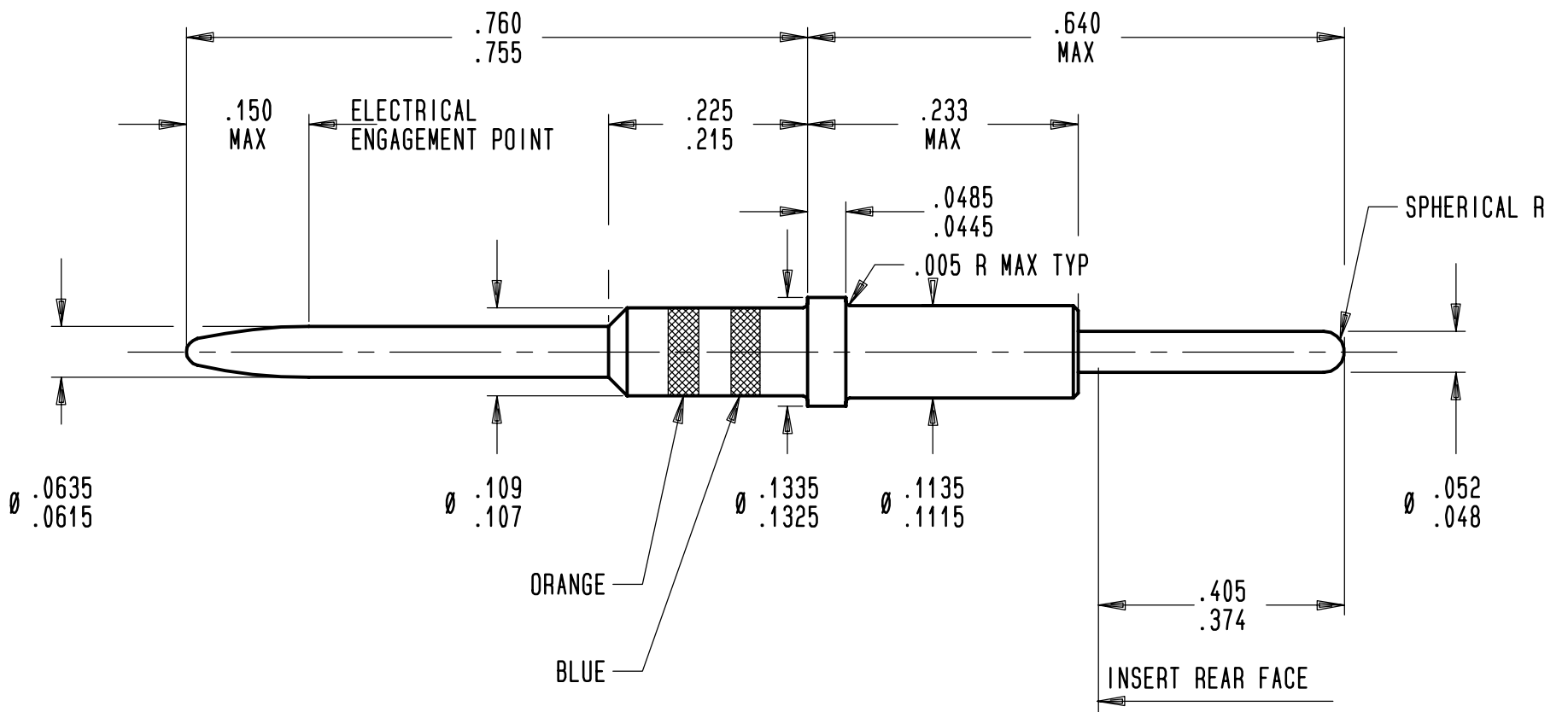


Series
NSX

SIZE 16 PC POST PIN CONTACT
FRONT RELEASE FRONT REMOVABLE

Issue:
05 MAR.96

Page
1 / 1



MATERIAL AND FINISH

BRASS PER ASTM B16M-85
GOLD PER MIL G 45204 TYPE I OR II GRADE C OR D CLASS 1 OVER NICKEL UNDERPLATE
PER QQ N 290 (50 TO 200 MICROINCHES)-PWB SOLDER CONTACT AREA WHICH IS TIN LEADED PER QQS 571 (.0025)

INSERTION / EXTRACTION TOOL :282 504

This information is given as an indication. In the continual goal to improve our products, we reserve the right to make any modifications judged necessary.

4112_9311

| | | | | |
|-------------------------|----------|---|----------|----------|
| CREATION | | | | |
| PEN:94010 M94400002A | | | | |
| NOM: MACARI | | | | |
| DATE: 23 JUN.94 | 03/05/96 | REDRAWN. ADDED PRECISIONS ON MATERIAL AND FINISH. | BALDYROU | |
| APPR.: DESPOUYS | Issue | Revisions | Name | Approved |